



# GP STYLE STAND HOOK KIT

## APPLICATION

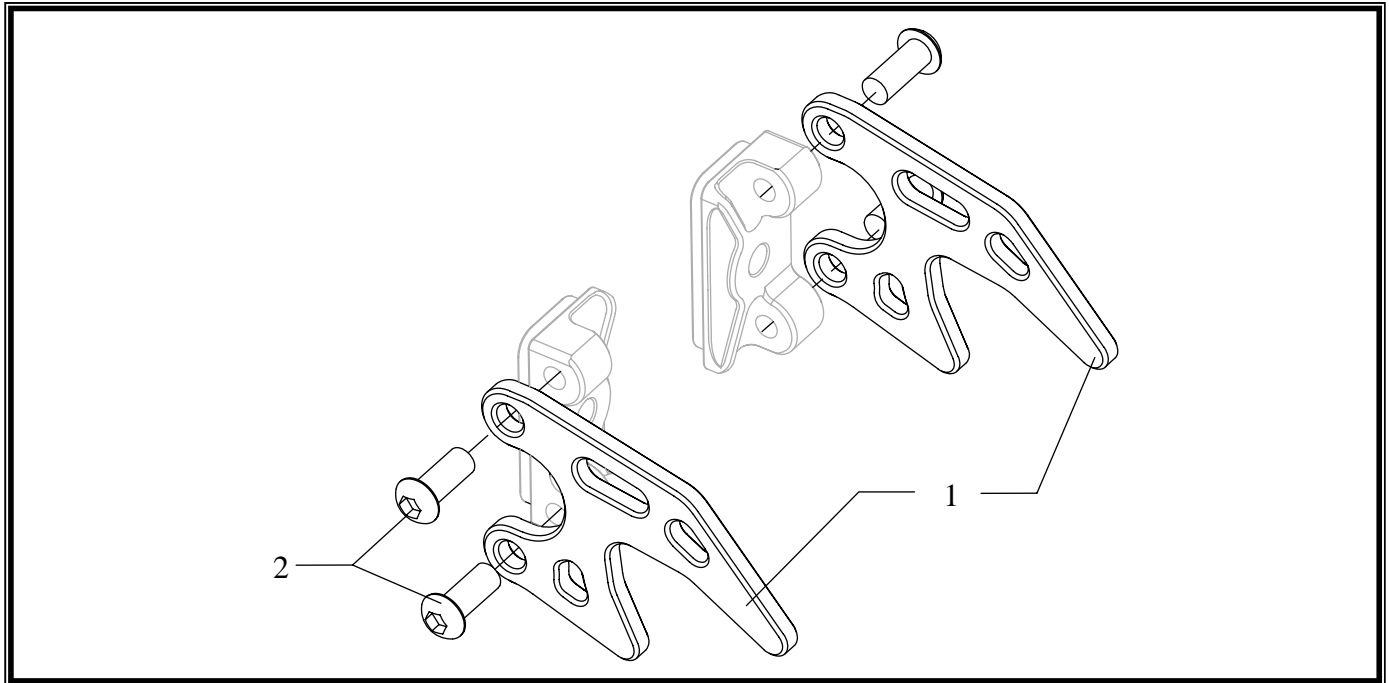
YEAR	MODEL
2011	Honda CBR250R

## PRODUCT

081RD122500	GP Style Stand Hook Kit
-------------	-------------------------



Read through all instructions before beginning installation. Exhaust system can be extremely hot. Let motorcycle cool down before beginning installation. Always wear hand and eye protection and take precautionary measures to avoid injury.



No.	Part #	Description	Qty
1	081RD122500H	GP Style Stand Hook	2
2	M8X20BHS	8mm x 20mm Button Head Cap Screw	4

## **-TOOLS REQUIRED-**

Metric Socket Set

Combination Wrench Set

Torque Wrench

Metric Allen Wrench Set

- 1. Remove Yoshimura Stand Spools on Yoshimura Stand Stopper Bracket.**
- 2. Install Yoshimura GP Style Stand Hook onto Yoshimura Stand Stopper Bracket using the supplied bolts. See diagram for orientation.**
- 3. Torque bolts to 23 Nm (2.3 kg-m, 17 ft-lb).**